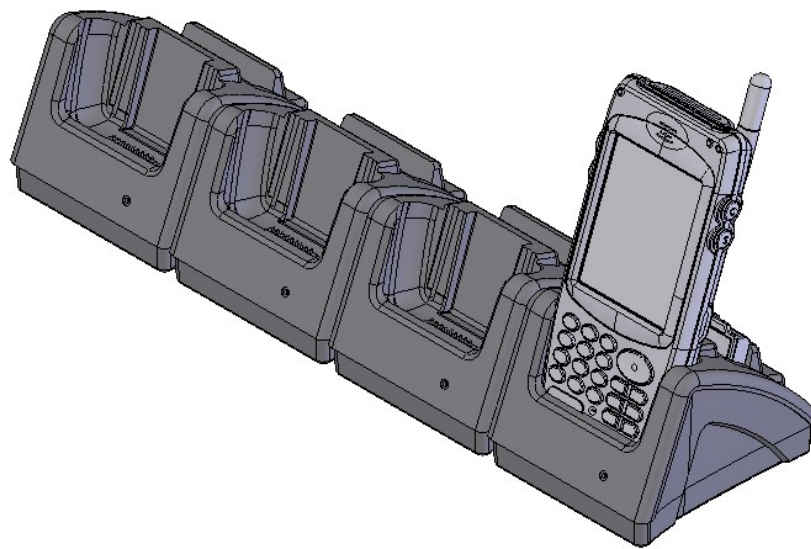


Four Slot Ethernet Cradle Manual



x

This document describes how to install and use the Four Slot Ethernet Cradle.

* Four Slot Ethernet Cradle is applicable to Following M3 device model:

- MC6300S, MC6400S and MC6500S.

* ActiveSync connection is not available using Four Slot Ethernet Cradle. Therefore we advise you to use the Single Slot USB Cradle for this purpose.

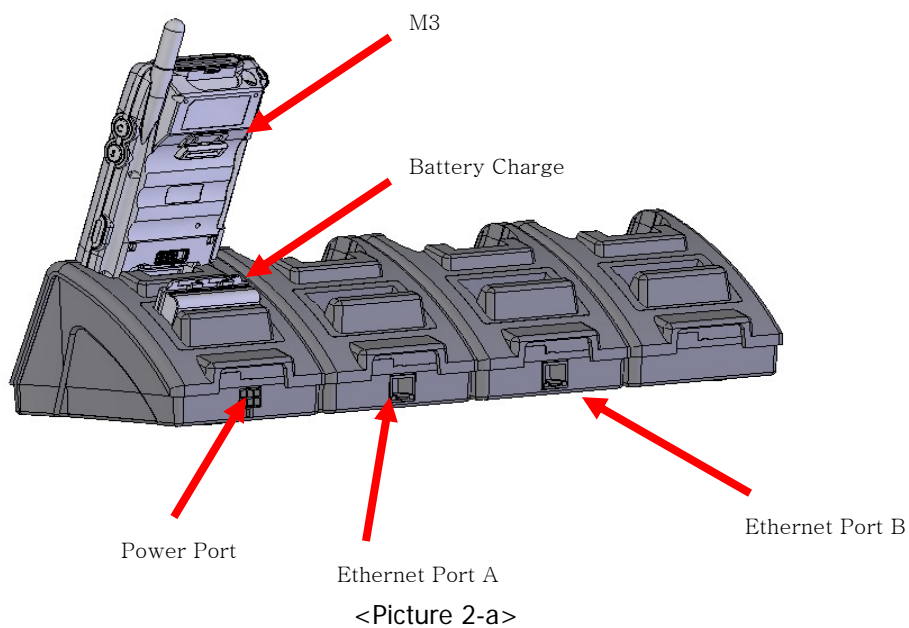
* To supply the power, please use the supplied power adapter by MobileCompia. Any defect on a unit while using other power supplier is not guaranteed.

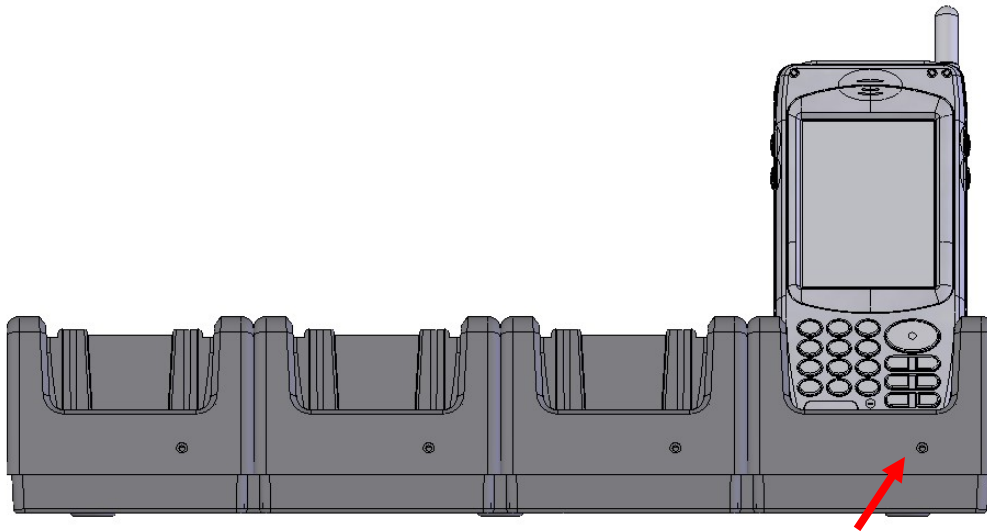
1. Components

- Four Slot Ethernet Cradle ----- 1EA
- Power Cable ----- 1EA
- Power Supply (5V ,12A) ----- 1EA

2. Installation

- Connect power adapter to Cradle.
- Connect Ethernet switch, router or hub to Cradle host port A or B.





Battery Charge LED

<Picture 2-b>

3. Daisy chaining Cradles (linking Cradles)

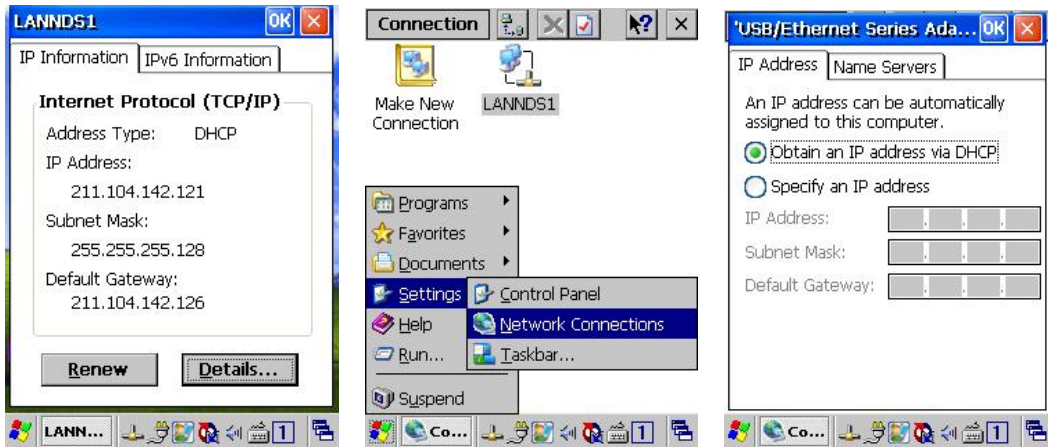
This connection enables the communication from one Ethernet cradle to another. The cable used for this connection should be straight or crossover cable.

- Please supply power to each cradle.
 - Please connect Ethernet switch, router, hub or PC to the First Cradle.
 - Please link the first cradle's Ethernet port B to other cradle's Ethernet port A using LAN cable.
 - In this way, you can link more cradles
- The table below displays theoretical figures and it might be different in practice. The network bandwidth in this example is 100Mbps.
 - As you can see from the table, the bandwidth will be reduced in parallel with the number of linked cradles.

Daisy chaining Cradles	Ethernet Cradle Bandwidth	One Slot Bandwidth
1Cradle	100Mbps	20Mbps
2Cradle	20Mbps	4Mbps
3Cradle	4Mbps	800Kbps
4Cradle	800Kbps	160Kbps
5Cradle	160Kbps	32Kbps
6Cradle	32Kbps	6.4Kbps
7Cradle	6.4Kbps	1.28Kbps

<Table 3>

4. View Network Information on M3



<picture 4-a>

<picture 4-b>

<picture 4-c>

- As like the picture 4-a, Ethernet Internet Protocol information can be shown by double-clicking the Ethernet tray icon on the taskbar.
- The network configuration (shown on picture 4-c) can be done by double-clicking Ethernet icon (LANNDS1) which you can reach by following the path, shown on the picture 4-b.